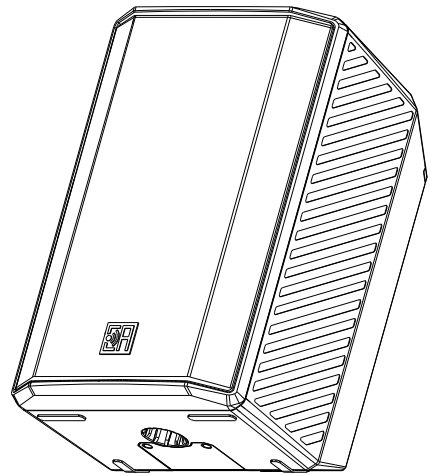
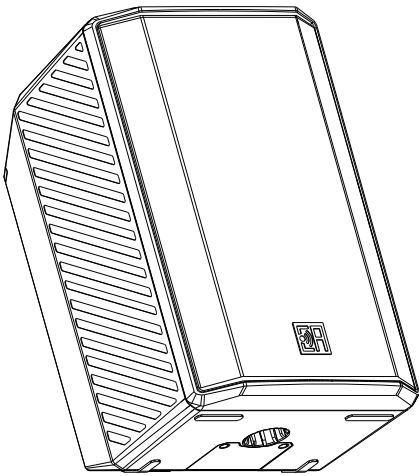


K8

ALL-IN-ONE RECHARGEABLE PA SPEAKER



Safety

Important Safety Instructions



WARNING: TO REDUCE THE RISK OF FIRE OR ELECTRIC SHOCK, DO NOT OVER-EXPOSE THIS APPLIANCE TO RAIN OR MOISTURE.

AVIS: RISQUE DE CHOC ELECTRIQUE, NE PAS OUVRIR.

WARNING: THE MAINS PLUG OR AC INLET IS USED AS A DISCONNECT DEVICE. THE DISCONNECT DEVICE SHALL REMAIN READILY OPERABLE.



WARNING: CONNECT ONLY TO MAINS SOCKET WITH PROTECTIVE EARTHING CONNECTION.

WARNING: TO REDUCE THE RISK OF ELECTRIC SHOCK, DO NOT REMOVE COVER (OR BACK) AS THERE ARE NO USER-SERVICABLE PARTS. INSIDE REFER SERVICING TO QUALIFIED PERSONNEL.







The lightning flash with arrowhead symbol, within an equilateral triangle is intended to alert the user to the presence of uninsulated "dangerous voltage" within the product's enclosure that may be sufficient magnitude to constitute a risk of electric shock to persons.

The exclamation point within an equilateral triangle is intended to alert the user to the presence of important operating and maintenance (servicing) instructions in the literature accompanying the appliance.

The asterisk within an equilateral triangle is intended to inform the user to necessary installation or removal instructions regarding equipment or hardware use relating to the system.

1. Read these instructions.
2. Keep these instructions.
3. Heed all warnings.
4. Follow all instructions.
5. Do not use this apparatus near water.
6. Clean only with a dry cloth.
7. Do not install near any heat sources such as radiators, heat registers, stoves, or other apparatus (including amplifiers) that produce heat.
8. Only use attachments/accessories specified by the manufacturer.
9. Do not expose this apparatus to dripping or splashing and ensure that no objects filled with liquids, such as vases, are placed on this apparatus.
10. Do not block any ventilation openings. Install in accordance with the manufacturers instructions.
11. Do not defeat the safety purpose of the polarized or grounding-type plug. A polarized plug has two blades with one wider than the other. A grounding type plug has two blades and a third grounding prong. The wide blade or the third prong is provided for your safety. If the provided plug does not fit into your outlet, consult an electrician for replacement of the obsolete outlet.
12. Protect the power cord from being walked on or pinched particularly at plugs, convenience receptacles, and the point where they exit from the apparatus.
13. Unplug the apparatus during lightning storms or when unused for long periods of time.
14. Refer all servicing to qualified service personnel. Servicing is required when the apparatus has been damaged in any way, such as power-supply cord or plug is damaged, liquid has been spilled or objects have fallen into the apparatus, the apparatus has been exposed to rain or moisture, does not operate normally, or has been dropped.
15. To completely disconnect AC power from this apparatus, the power supply cord must be unplugged.

Precautions

	<p>If a loudspeaker is used outdoors on a sunny day, place the loudspeaker in a shaded or covered area. The loudspeaker amplifier has protection circuits that temporarily shut the loudspeaker off when extremely high temperatures are reached. This can happen on hot days when the loudspeaker is in direct sunlight.</p>
	<p>Do not use loudspeakers in an environment where temperatures are below 0°C (32°F) or exceed +40°C (104°F).</p>
	<p>Never expose an loudspeaker to rain, water, or high moisture.</p>
	<p>Loudspeakers are easily capable of generating sound pressure levels sufficient to cause permanent hearing damage to anyone within normal coverage distance. Caution should be taken to avoid prolonged exposure to sound pressure levels exceeding 90 dB.</p>

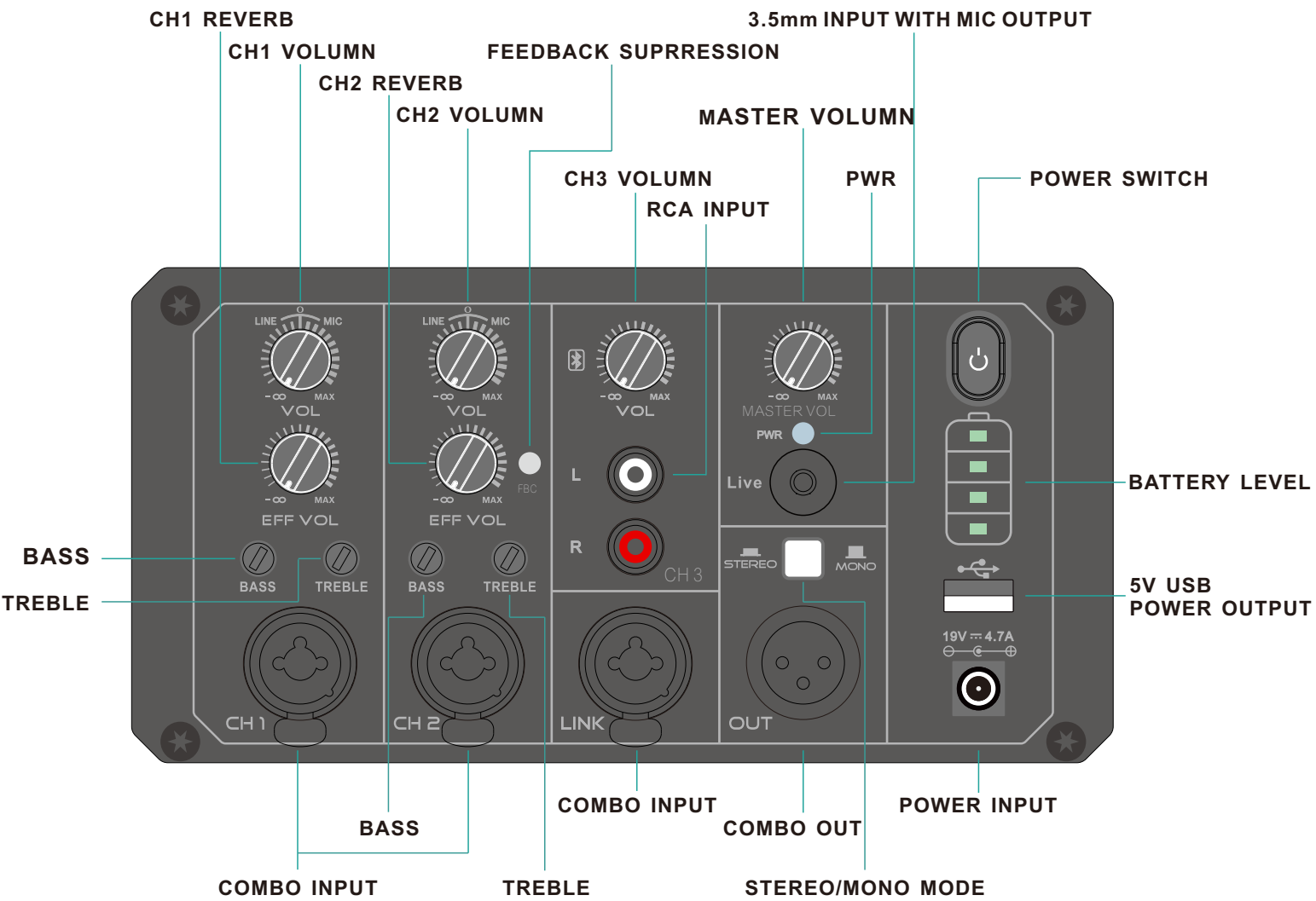


Old electrical and electronic appliances

Electrical or electronic devices that are no longer serviceable must be collected separately and sent for environmentally compatible recycling (in accordance with the European Waste Electrical and Electronic Equipment Directive).

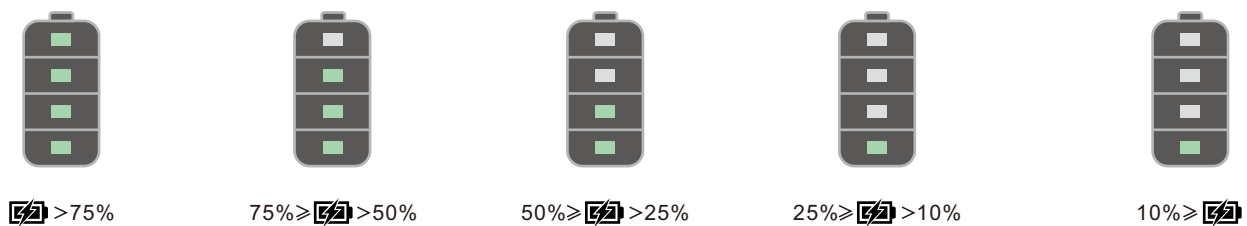
To dispose of old electrical or electronic devices, you should use the return and collection systems put in place in the country concerned.

CONTROL PANEL



- PWR: Green light indicates Bluetooth idle ;
- PWR: Flashing blue light indicates Bluetooth searching ;
- PWR: Blue light indicates Bluetooth connected ;
- FBC : White light indicates Feedback Cancellation mode on ;
- Bluetooth button: Push master volumn knob to turn Bluetooth on/off;
- FBS : Push CH2 reverb knob to turn FBC mode ON/OFF for CH2.

BATTERY LEVEL

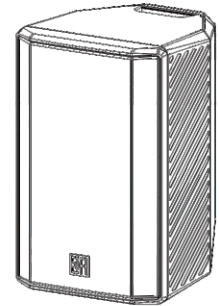
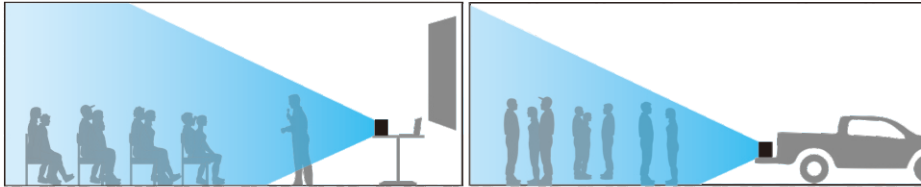


Total power output will be reduced when battery level is 10% or less.
 Power will be shut down when battery level is 5% or less.
 Recharge as soon as possible to extend battery life.

SYSTEM CONFIGURATIONS

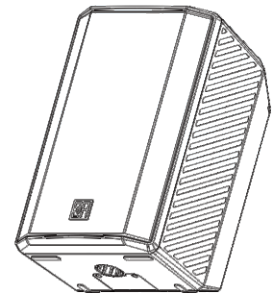
Elevated Surface

Position the K8 on a surface to project sound evenly throughout the audience. In this way audience members hear the full frequency range of the system.



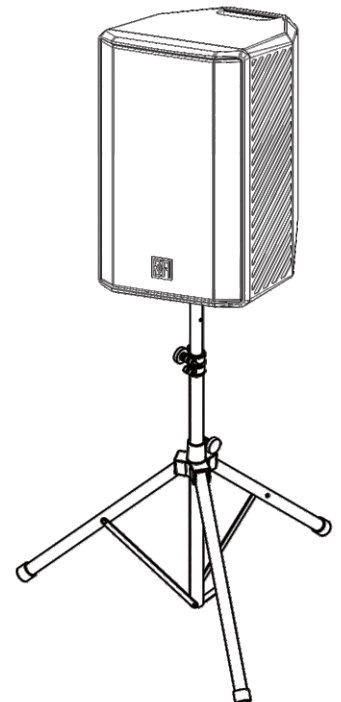
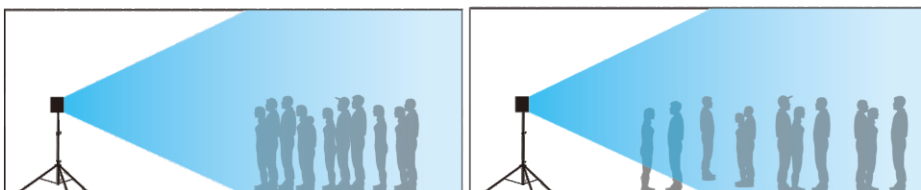
Tilt-Back

Tilt the K8 on its back edge in circumstances when audience is close to the speaker. The performer should avoid blocking sound projected from the speaker.

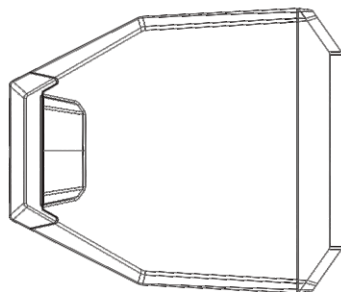
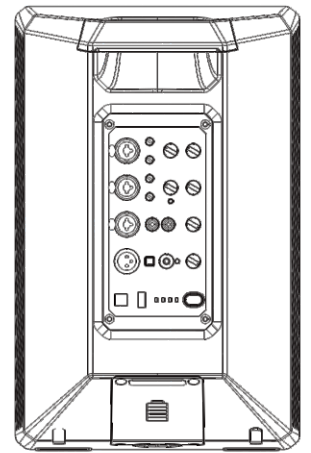
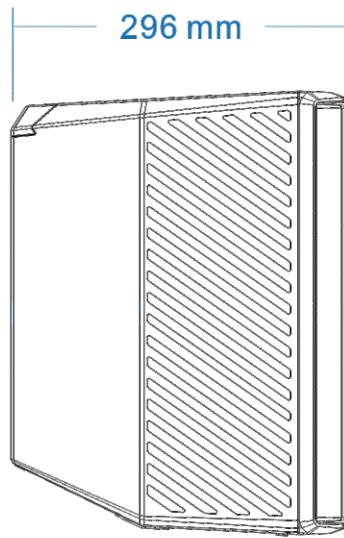
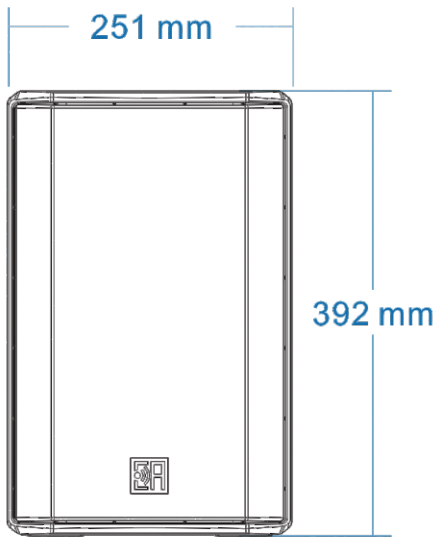
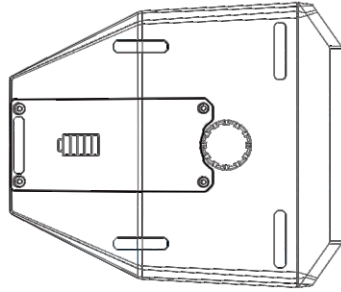


Speaker Stand

Place K8 on speaker stands (sold separately) for general-purpose sound reinforcement.



OVERALL DIMENSION



PARAMETER

Product Model	K8
Frequency Response (-3dB)	52Hz-20KHz
Max SPL	118dB
System Design	8" Two way vented
HF	1" Titanium dome
Coverage (H x V)	100° x 60°
Amplification	100W + 20W Class D
Battery Life	8-20h
Battery Spec	Capacity: 6100mAh Voltage: 14.8V
Crossover	DSP
Input/output	XLR/TRS combo input x3
	RCA input x 1
	Bluetooth
	XLR output x 1
	USB power output
	3.5mm LIVE port for cellphone
Fuction & effects	EQ controls for two XLR inputs
	Effct control for each channel
	Bluetooth
	Feed back cancelling
	Mono/stereo output
	Battery-level indicator
Color	Matt black with multi-color front frame
Net Weight	6.75 Kg
Gross Weight	8.5 Kg
Dimension	W251 x H392 x D296
Package Dimension	W317 x H465 x D365



PRECISION DRIVE ELECTRONICS TECHNOLOGY CD.LTD

www.pdpro.com.cn